

# Masport<sup>®</sup> Heating

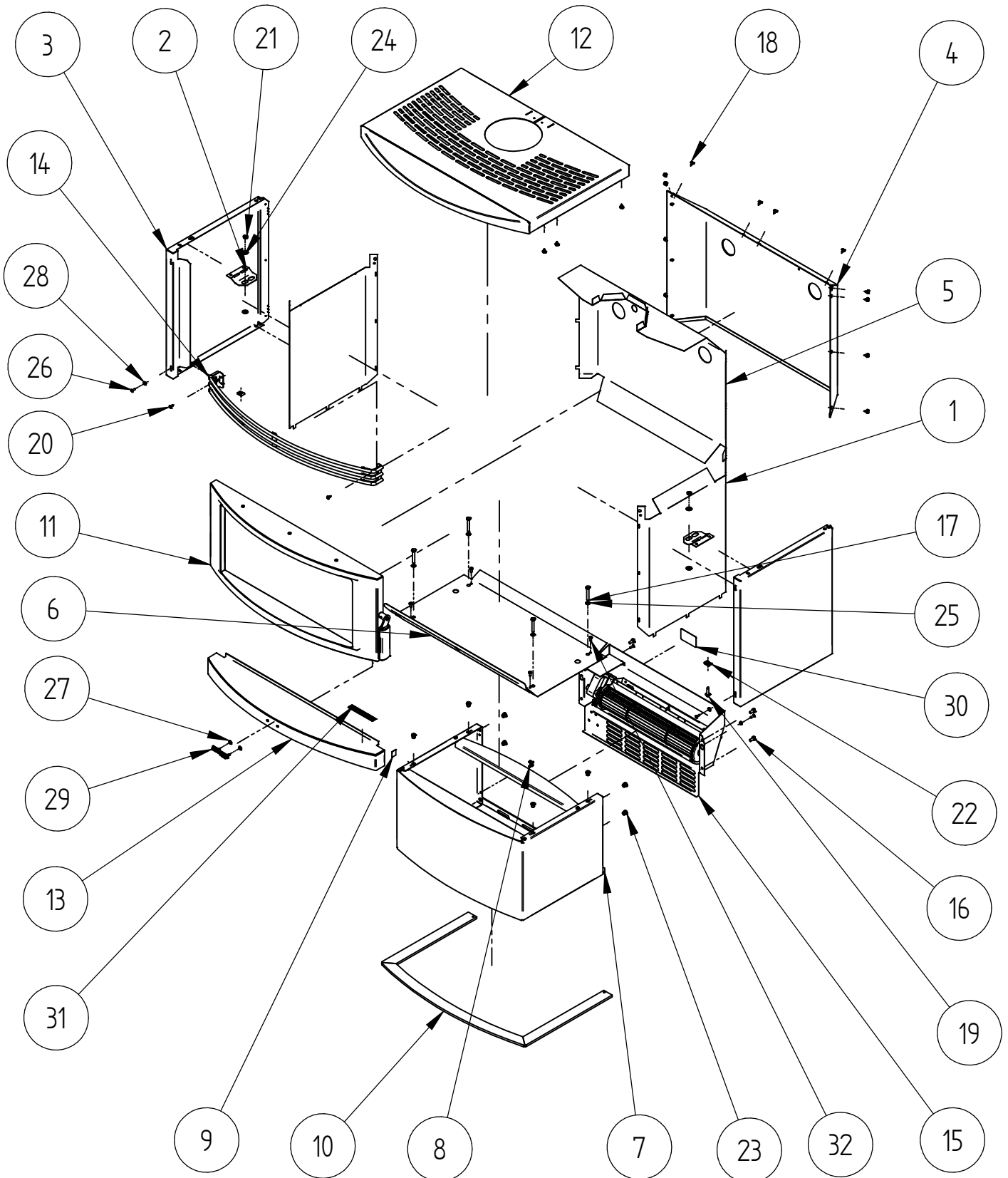
## FREESTANDING WOOD FIRES

### F3300C - AUSTRALIA

Item No.	MARKET	FUEL TYPE	FINISH	YEAR	FAN
994965	AU	HARDWOOD	Matte Black Enamel	OCT-2010	OPTIONAL
994970				APR-2011	YES



## PANELS, DOOR AND PEDESTAL

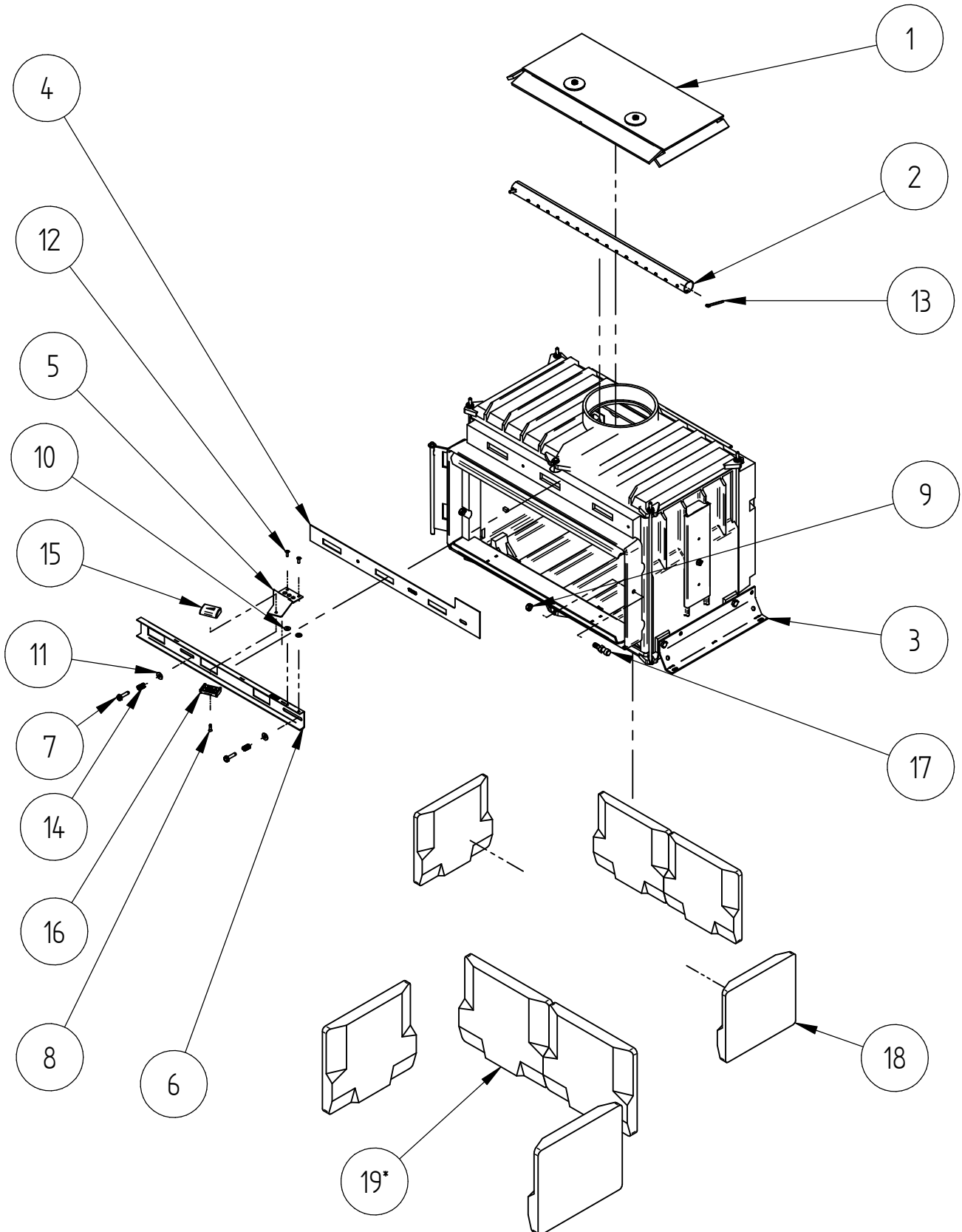


When ordering PLEASE QUOTE PART ID along with Finish Suffix (if applicable)

PANELS, DOOR AND PEDESTAL					
Item	Part ID	Model(s)		Description	Qty
		994965	994970		
1	986121	-	-	F3000 HEATSHIELD - SIDE	2
2	986147	-	-	BRACE - SIDE PANEL	2
3	986314	E01	E01	PANEL-SIDE F3000	2
4	986319	P01	P01	PANEL-REAR F3000	1
5	986372	-	-	HEATSHIELD - BACK, F3000	1
6	986374	-	-	HEATSHIELD - BOTTOM, LE3000	1
7	986383	P02	P02	PEDESTAL ASSY CURVED - F3000	1
8	596603	-N/A.-	-	EARTH TAB RIVET BN11	1
8A	993789	-N/A.-	-N/A.-	EARTH CONNECTION SET	1
9	585631	-N/A.-	-	DECAL EARTH	1
10	994720	P02	P02	F3000 FOOT ASSEMBLY	1
11	994753	E01	E01	F3300C - DOOR ASSY (SEE DOOR PAGE)	1
12	994765	E01	E01	PANEL TOP ASSY F3300C	1
13	994770	E01	E01	PANEL ASSY FRONT F3300C	1
14	994771	-	-	GRILL ASSY COMPL F3300C SLV/BLK	1
15	994791	N/A	P02	FAN ASSY COMPL F3/F7 FERGAS BLK PC	1
15A	594160	OPTIONAL	-N/A.-	FAN KIT PURCHASED FROM AFMC	1
15B	993480	P02	-N/A.-	PANEL-PED, BACK	1
16	521075	-	-	SCREW; M6X12 HEX ZP	4
17	521077	-	-	SCREW; M6X40 HEX ZP	4
18	521635	-	-	SCREW; S/T 10GX3/8" HEX FLANGE BLK	18
19	521637	-	-	SCREW; S/T 12GX25 TIMBERTITE	4
20	521645	-	-	SCREW; S/T 8GX1/2" MUSH FLANGE POZI BLK	2
21	522117	-	-	NUT; HEX STD M6 ZP	2
22	522402	-	-	NUT; SPIRE SNU0537	4
23	522605	-	-	NUT; RIVNUT STD/FLANGE M6	8
24	523007	-	-	WASHER; FLAT 1/4"X5/8"X0.049" ZP	4
25	523031	-	-	WASHER; FLAT M6 ZP	4
26	524006	-	-	RIVET; 73 AS 5-5	4
27	526001	-	-	CLIP; STARLOCK 4 DIA SLP04	2
28	586149	-	-	SPACER-FRONT PANEL	4
29	587836	-	-	BADGE MASPORT CAST	1
30	594786	-	-	DECAL FAN OPERATION	1
31	595695	-	-	DECAL "BURN ONLY" COMBINED NZ/AUS	1
32	521605	-	-	SCREW; S/T 10GX1/2" PAN POZI ZP	4

When ordering PLEASE QUOTE PART ID along with Finish Suffix (if applicable)

# AIRSLIDE, BAFFLE, BRICKS AND FIREBOX



When ordering PLEASE QUOTE PART ID along with Finish Suffix (if applicable)

AIRSLIDE, BAFFLE, BRICKS AND FIREBOX					
Item	Part ID	Model(s)		Description	Qty
		994965	994970		
1	993463	V02	V02	BAFFLE ASSY STL F3000	1
2	994229	-	-	TUBE-SEC AIR, F3000 S/S	1
3	994786	-	-	F/B ASSY HW F3300C	1
4	994768	-	-	PLATE,BACK-METER F3300C	1
5	994775	-	-	EXT'N SLIDE, AIR INLET F3300C	1
6	994785	-	-	SLIDE-AIR INLET F3300C 20X53.5 X 3 RECT- HW	1
7	521633	-	-	SCREW; S/T M6X25 HEX FLANGE TAPTITE	2
8	521650	-	-	SCREW; 6Gx1/2" S/S TYPE 25 C/S POZI	1
9	522118	-	-	NUT; HEX STD M8 ZP	1
10	523000	-	-	WASHER; FLAT 3/16"X1/2"X18G ZP	2
11	523007	-	-	WASHER; FLAT 1/4"X5/8"X0.049" ZP	2
12	524006	-	-	RIVET; 73 AS 5-5	2
13	525105	-	-	COTTER PIN 5.0X40 ZP	1
14	585223	-	-	SPRING-COMPRESSIONAIR INLET	2
15	593650	-	-	I3000 AIRSLIDE KNOB TOP HILO	1
16	593651	-	-	AIRSLIDE KNOB BOTTOM LH	1
17	586482	-	-	PIN-DOOR LATCH LE 3/5S2 BZP	1
18	587807	-	-	BRICK-F/B, LE2, LE3, 09	4
19	787842	-	-	BRICK KIT F3000	1

**\*Optional Sale Kit**

Note: Mar 14 onwards old wooden knobs were replaced by plastic knobs.

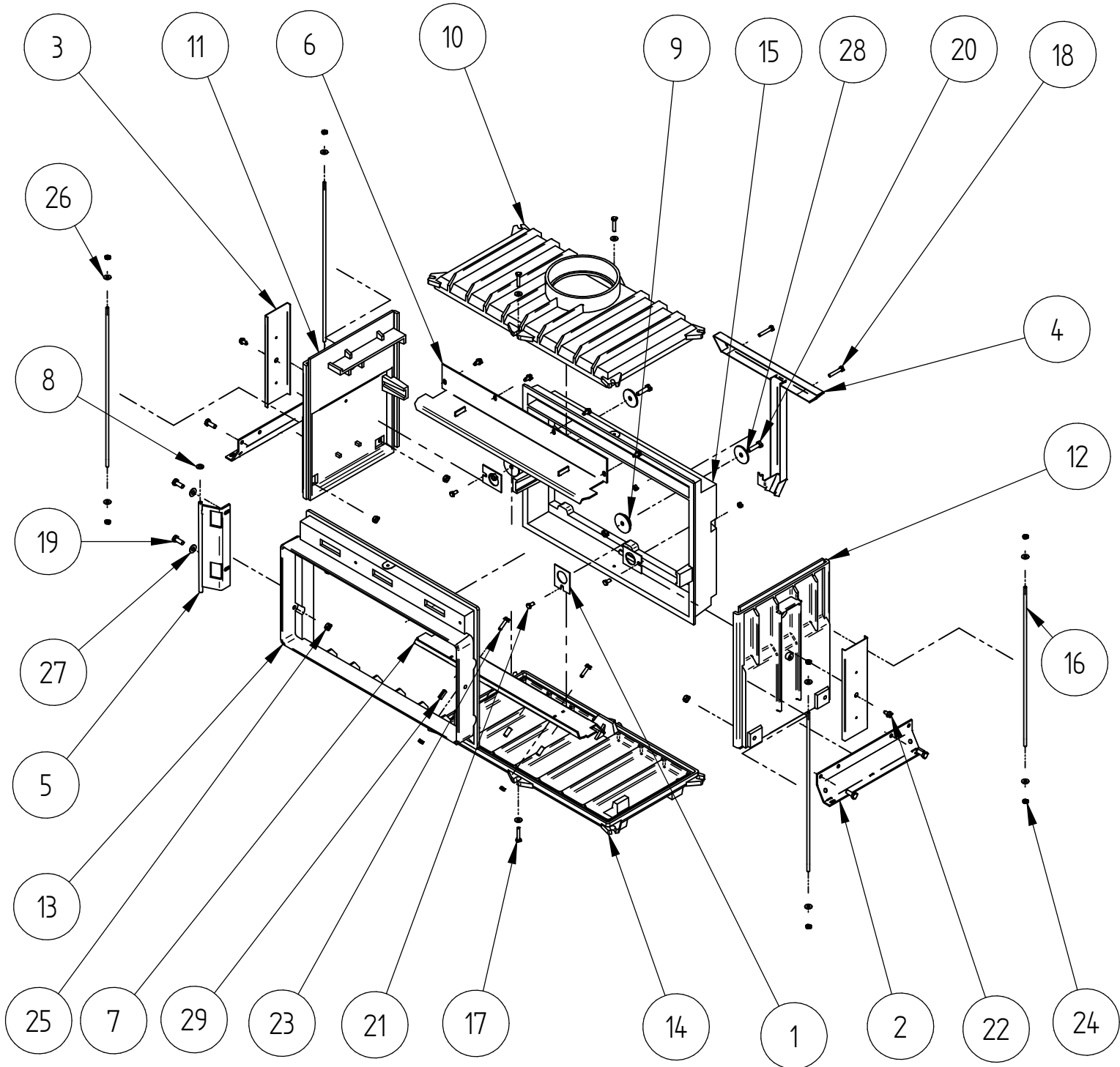
Old wooden knob parts:

1 X 986162 Air control knob

1 X 521642 Screw

Contact Customer service/Engineering Dept. for details of wooden knob system (Issue A).

# FIREBOX DETAILS

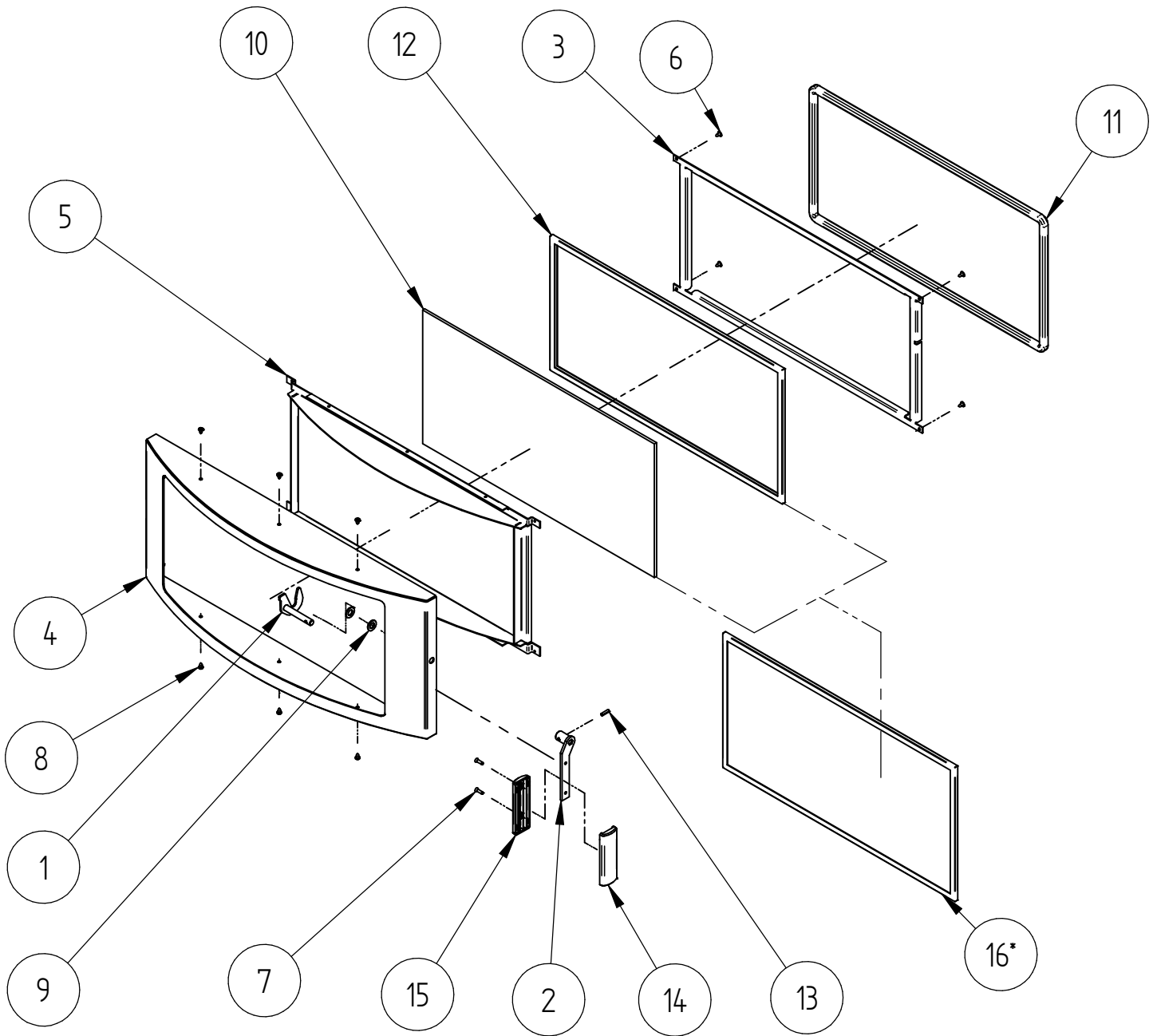


When ordering PLEASE QUOTE PART ID along with Finish Suffix (if applicable)

FIRE BOX : 994786					
Item	Part ID	Model(s)		Description	Qty
		994965	994970		
1	984838	-	-	FLANGE - SECONDARY AIR	3
2	986123	-	-	BRACKET-MOUNT,CABINET LE3/5S2	2
3	986146	-	-	COVER - SECONDARY AIR	2
4	986365	-	-	CHANNEL- SEC AIR ASSEMBLY	1
5	986664	-	-	HINGE ASSY LE3/5S2/PANA/VERONA	1
6	994760	-	-	DEFLECTOR PRIMARY AIR ASSY, F3300C	1
7	994762	-	-	PLATE - BASE AIR ASSY, F3300C	1
8	523019	-	-	WASHER; FLAT 5/16"X5/8"X16G ZP	1
9	684089	-	-	PLUG, 34DIAPITTS/FATSO/WFIRE	2
10	686102	-	-	F/B TOP LE3/5000S2/PANA/VERONA	1
11	686645	-	-	F/B SIDE LH LE3/5000S2/PAN/VERONA	1
12	686646	-	-	F/B SIDE RH LE3/5000S2/PAN/VERONA	1
13	686660	-	-	F/B FRONT LE3/VERONA - SET 1	1
14	686681	-	-	F/B BOTTOM LE3/5/VER-SET 1 &7	1
15	686682	-	-	F/B BACK LE3000	1
16	984598	-	-	ROD; TIE M6X 425	4
17	521059	-	-	SCREW; M6X30 HEX ZP	4
18	521060	-	-	SCREW; M6X35 HEX ZP	2
19	521066	-	-	SCREW; M8X20 HEX ZP	6
20	521068	-	-	SCREW; M8X30 HEX ZP	2
21	521075	-	-	SCREW; M6X12 HEX ZP	3
22	521601	-	-	SCREW; S/T 1/4"X1/2" HEX FLANGE ZP	6
23	521633	-	-	SCREW; S/T M6X25 HEX FLANGE TAPTITE	2
24	522117	-	-	NUT; HEX STD M6 ZP	15
25	522118	-	-	NUT; HEX STD M8 ZP	8
26	523007	-	-	WASHER; FLAT 1/4"X5/8"X0.049" ZP	12
27	523034	-	-	WASHER; FLAT M8X19X1.6 ZP	2
28	523035	-	-	WASHER; FLAT M8X22X3 HVY ZP	2
29	525007	-	-	PIN; TENSION 8X20 BLK BISSELL 001791	4

When ordering PLEASE QUOTE PART ID along with Finish Suffix (if applicable)

## DOOR ASSEMBLY



When ordering PLEASE QUOTE PART ID along with Finish Suffix (if applicable)



DOOR ASSEMBLY : 994753					
Item	Part ID	Model(s)		Description	Qty
		994965	994970		
		994753			
1	986530	-	-	LATCH DOOR ASSY	1
2	996616	-	-	PLATE - HANDLE ASSY	1
3	994751	-	-	RETAINER-GLASS, F3300C	1
4	994754	E01	E01	PANEL DOOR ASSY - F3300C	1
5	994756	V02	V02	FRAME ASSY-GLASS,F3300C	1
6	521627	-	-	SCREW; S/T 8GX3/8" MUSH FLANGE POZI BLK	4
7	521650	-	-	SCREW; 6GX1/2" S/S TYPE 25 C/S POZI	2
8	521630	-	-	SCREW; S/T 8GX5/16" POZI PAN BLK	6
9	523021	-	-	WASHER; FLAT M10X19X1.6 ZP	2
10	594752	-	-	GLASS W/FIRE 5X543X271 N-CERAM	1
11	E15MMDR	-	-	DOOR ROPE	1
12	E30MMLT	-	-	LADDER TAPE 6X30X25m ROLL (MTR)	1
13	525001	-	-	PIN; TENSION 4X16 BLK	1
14	593598	-	-	I3000 DOOR HANDLE FRONT RH PLASTIC	1
15	593599	-	-	DOOR HANDLE REAR L/H PLASTIC	1
16*	794752	-	-	DOOR GLASS KIT	1

**\*Optional Sale Kit**

Note: Mar 14 onwards old wooden handles were replaced by 2-piece plastic handles.

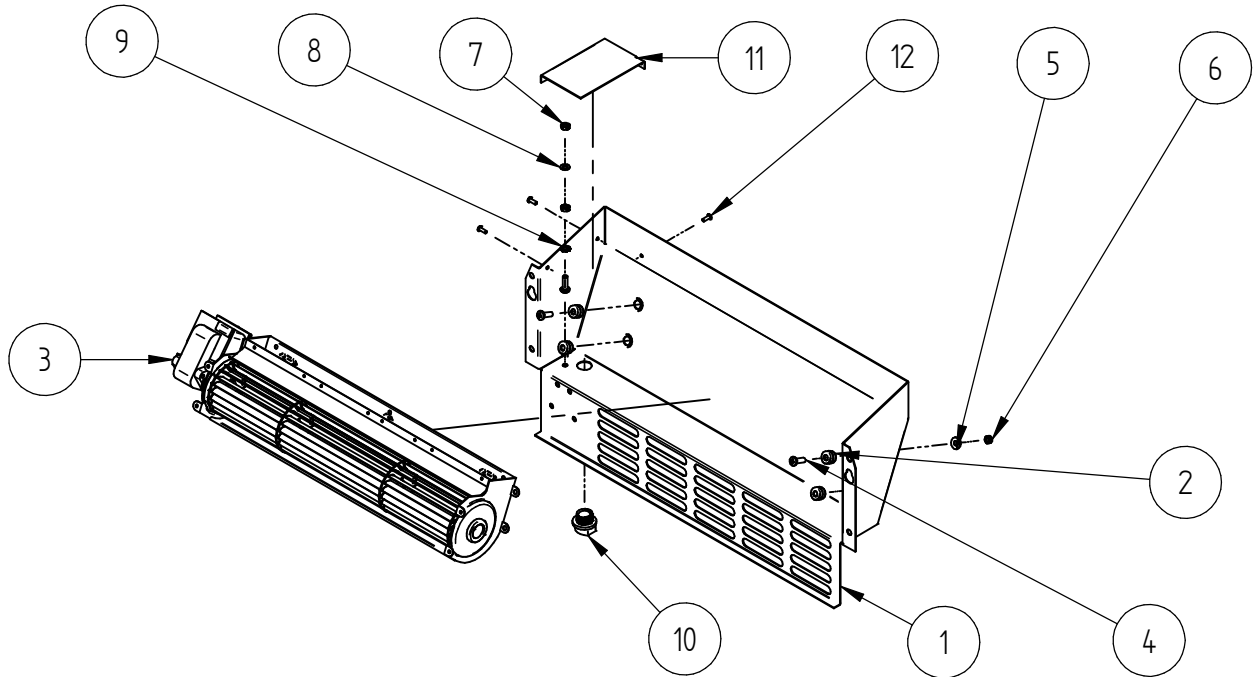
Old wooden handle parts:

1 X 586161 Door Handle

2 X 521628 Screws

Contact Customer service/Engineering Dept. for other parts of wooden handle system (Issue A).

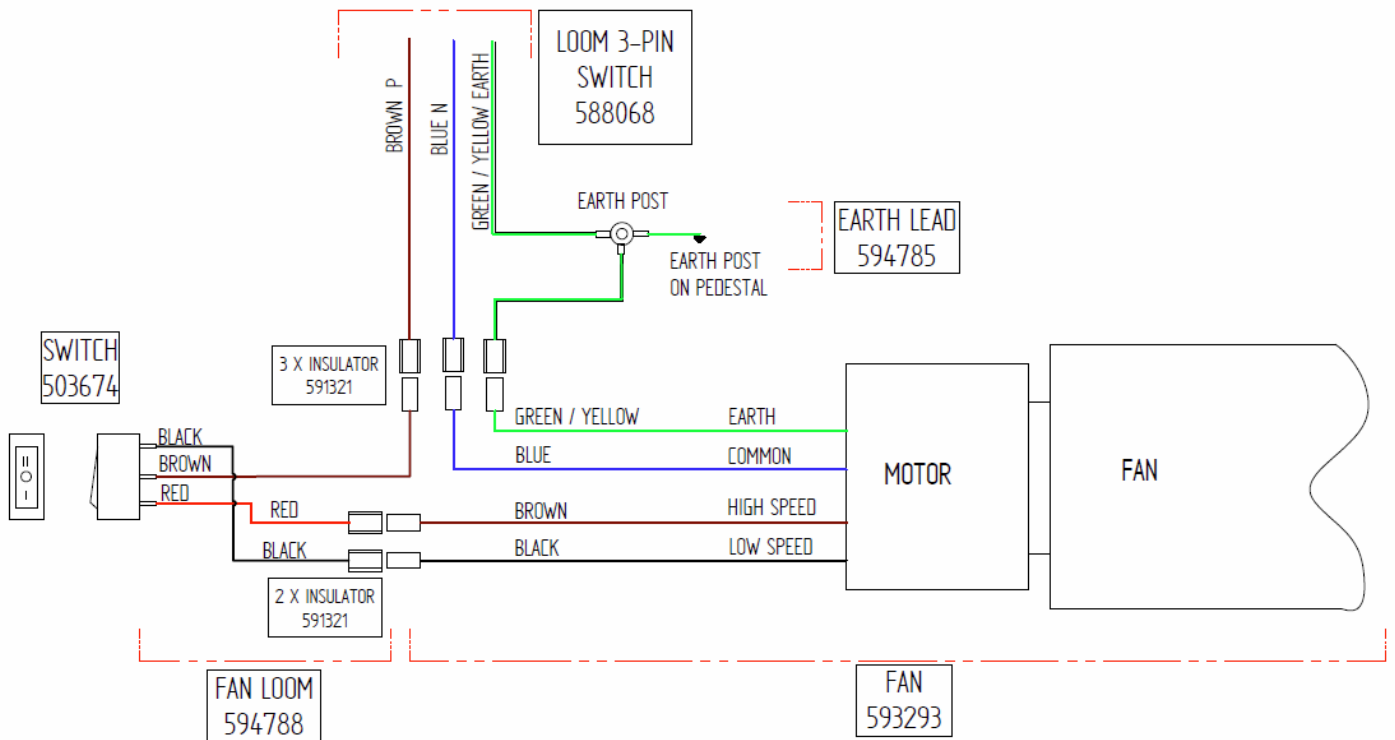
## FAN BOX ASSEMBLY



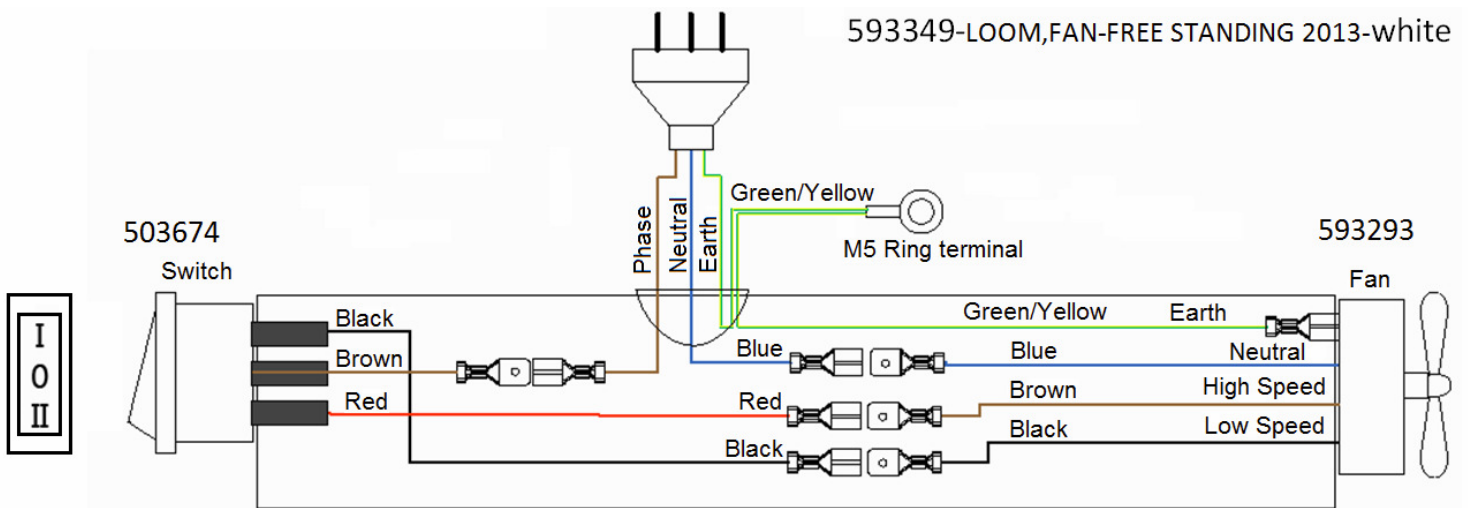
F3000/F3300C/F7000 FAN BOX ASSEMBLY					
Item	Part ID	Model(s)		Description	Qty
		994965	994969		
1	994793	-N/A-	P02	F3/F7 FAN BRACKET (FERGAS)	1
2	529402		-	GROMMET; 14X6	4
3	593289		-	FAN-2 SP TANG W/F INB FERGAS 76082	1
4	521033		-	SCREW; M5X16 PAN POZI BLK	3
5	523000		-	WASHER; FLAT 3/16"X1/2"X18G ZP	2
6	522305		-	NUT; NYLOCK M5 ZP	3
7	522106		-	NUT; HEX STD M5 ZP	2
8	523028		-	WASHER; FLAT M5 BRS	1
9	523204		-	WASHER; STAR M5 EXT	1
10	529201		-	CLAMP; CABLE 16 LITTLE GRIPPER	1
11	994794		-	SHIELD FAN PANEL FERGAS F3000	1
12	524002		-	RIVET; 73 AS 4-3	3

When ordering PLEASE QUOTE PART ID along with Finish Suffix (if applicable)

## FAN LOOM DIAGRAM



## FAN WIRING DIAGRAM W/F FREESTANDING 2011 - (AUSTRALIAN MODELS ONLY)



## FAN WIRING DIAGRAM W/F FREESTANDING 2013

When ordering PLEASE QUOTE PART ID along with Finish Suffix (if applicable)

NOT ILLUSTRATED					
Item	Part ID	Model(s)		Description	Qty
		994965	994970		
1	587845	-	-	INSTRUCTION - BRICK LAYOUT	1
2	593286	-	-	OWNER MANUAL WOODFIRES 2010	1
3	593287	-	-	INSTALL MANUAL WOODFIRES 2010	1
4	594779	-	-	F3300C INSTALLATION DATA SHEET	1
5	KRM00064	-	-	FLUE DEFLECTOR PLATE	1

SURFACE FINISH CODES FOR PANELS						
VITREOUS ENAMEL		VHT PAINT(Very High Temp)			POWDER COAT	
E01	MATT BLACK	V02	P-000022	METALLIC BLACK	P02	MATT BLACK
E02	GLOSS BLACK	V03	P-000043	CHARCOAL	P03	CHARCOAL
E03	CHARCOAL	V04	P-000081	TITANIUM	P05	SATIN BLACK
		V05	P-000051	CHARCOAL (DAM MET BLK)	P09	METTALIC BLACK
		V06	P-000052	METALLIC BLACK ZINC		

LESS FREQUENTLY OR OLD SURFACE FINISH CODES FOR PANELS						
VITREOUS ENAMEL		VHT PAINT(Very High Temp)			POWDER COAT	
E04	JASMINE	V01		SATIN BLACK HIGH TEMP	P01	BLUE/BLACK
					P04	GLOSS CHARCOAL
					P07	FLAT BLACK

When ordering PLEASE QUOTE PART ID along with Finish Suffix (if applicable)